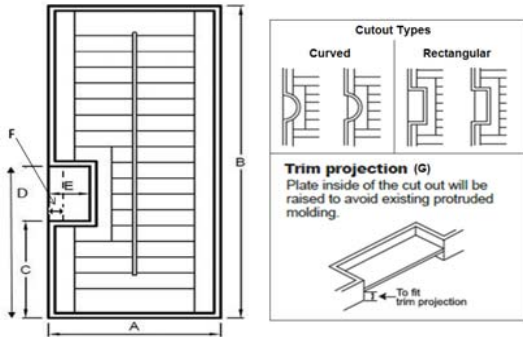


<b>CUSTOMER INFORMATION</b>			<b>SHIP TO</b>			<b>Shipping Methods</b>		
Company: _____			Company: _____			<input type="radio"/> Residential <input type="radio"/> Regular Via Ground <input type="radio"/> Commercial <input type="radio"/> Expedite via Ground <input type="radio"/> Express <input type="radio"/> Will Call		
Account ID: _____			Address Line 1 _____					
Contact _____			Address Line 2 _____					
P.O. Number: _____		Order Date _____		City / State _____		Zip: _____		
Sidemark: _____			Telephone: _____		Fax: _____		Installer: _____	

1 Line #	2 Room	2 Window Type	Match with Line #	3 Color Code/ Name	4 Hinge Color	5 Louver Size	6 Frame Type	7 Shutter				8 Panel Configuration	9 Tilt Rod		10 Split		10 Divider Rail Location	
								MFF	WS	Width (A)	Height (B)		Standard/ Hidden Tilt/ Offset	Equally / Specify	Center	Other (specify)		
1																		
2																		
3																		
4																		
5																		

Line #	11 Cutout Type	C Bottom of shutter to bottom of cutout	D Bottom of Shutter to top of cutout	E Width of cutout	F Distance from outside of frame to start of recessed plate	G Door Trim Projection	12 Qty	Surcharge	Subtotal	Total
1										
2										
3										
4										
5										



**Special Instructions:** \_\_\_\_\_  
 \_\_\_\_\_  
 \_\_\_\_\_  
 \_\_\_\_\_

Subtotal  
Sales Tax (CA Merchant)  
Grand Total

## **broadleaf™ French Door Key Chart:**

**1) Item#:** Start with Window #1 and continue.

**2) Room:** Window location.

**Window Type:** Single/ Side by side

**Match with Line No:** Fill in the Item # if applicable.

**3) Color:**

Pure White	= 001
Silk White	= 003
Pearl	= 006
Steamed Milk	= 009

**4) Hinge Finish:**

White	Off White
Antique Brass	Bright Brass
Stainless	Oil Rubbed

**5) Louver Size:**

Elliptical: 2 ½", 3 ½", 4 ½".

**6) Frame Type:**

L Frame:

- 1" Standard L Frame
- French Door L Frame

Buildout:

- Standard Extension: ½", 1", or 1 ½"
- Custom Extension: Up to 2"

**7) Shutter:**

Max Frame to Frame Size= MFF Window Size= WS

**Width / Height:** Indicate shutter width and height

**8) Panel Configuration:** Indicate configuration from left to right.

Left = L Right = R

**9) Tilt Rod:**

Hidden Tilt\* will be spliced if the tilt bar exceeds 52".

Default location is on the hinged side.

Hidden Tilt\* = H

Center =C

**Split Tilt Rod:**

Split equally = Check "Center"

Other = Specify

**10) Divider Rail Location:**

Required for all panels over 74" in height.

Divide in the center = Check "Center"

Other = Specify Center of Rail Location

Please refer to program binder for details on deviation.

**11) Cutout Types:**

Routed – Frame only is routed

Curved

Rectangular

Plate will be Flush if has no door trim

Plate will be Offset if has door trim

**12) Qty:** Numbers of windows of the same specification.